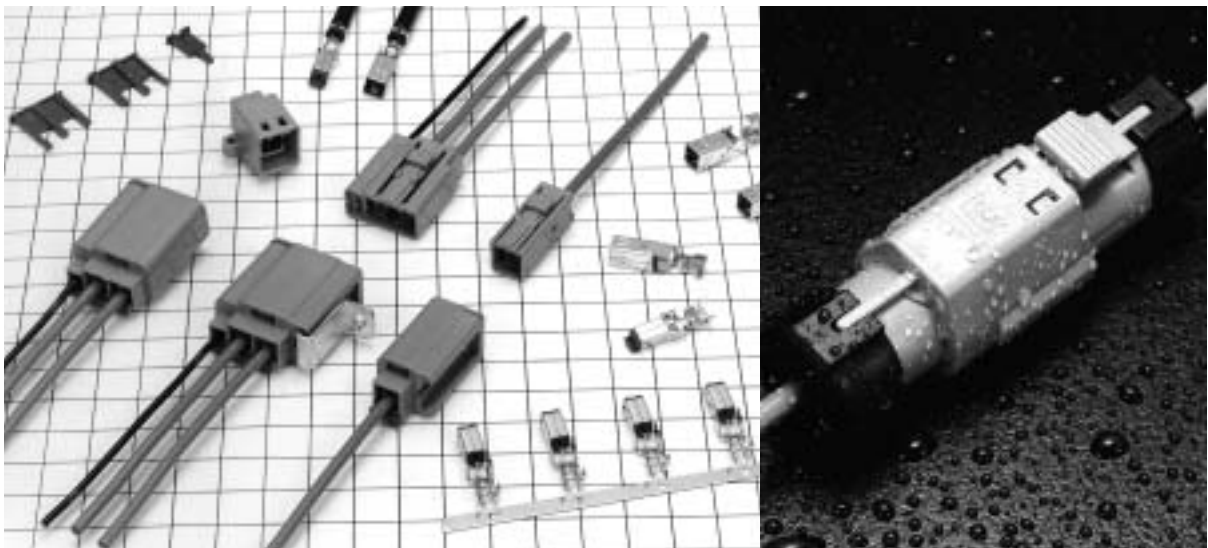


Termination of coaxial cables in automotive, medical and instrumentation applications utilizes a single motion to crimp the center conductor, shield and outer insulation.

GT5 Series

— Connectors for coaxial cables —

<Several types and configurations: In-line, board mounted, combinations of coaxial cable with signal/power, Multi-position and color/ keying variations.>



Features

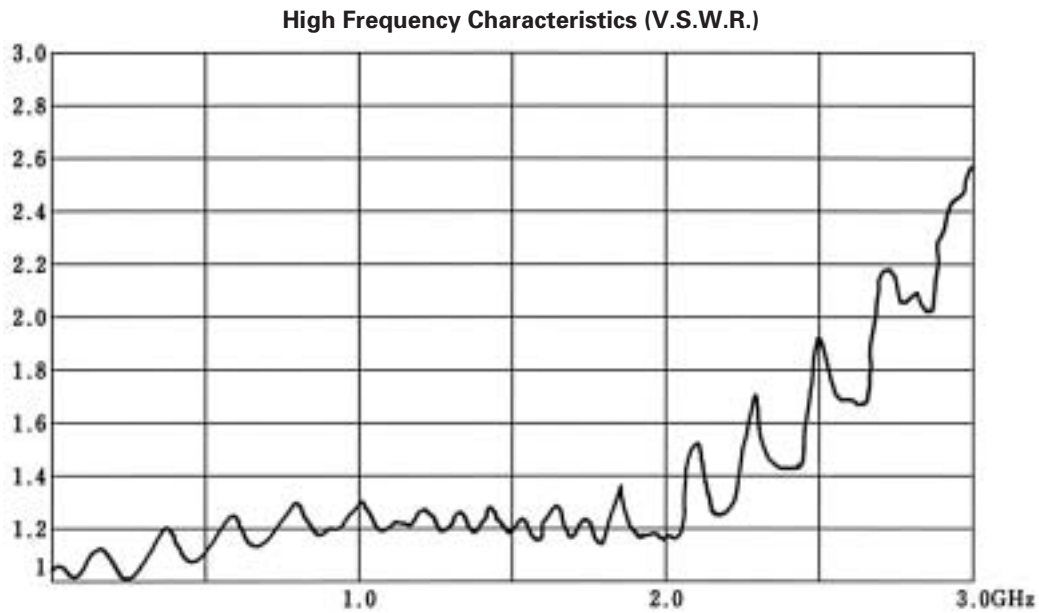
- **USCAR Standard** titled "Square Outer Conductor (SAE/USCAR-19)" excludes Water Proof type (GT5W)
- **Cost efficient termination**
Highly efficient and reliable single motion "Twin Crimp™" termination allows high volume production with semi-automatic equipment.
- **Space-saving Design**
- **Lock-release latching system**
- **Shock / vibration resistant electrical connections**
- **Verification of the full contact insertion**
- **Color and polarizing variations**
- **Excellent High Frequency Performance**
Refer to V.S.W.R. data on the following pages.

Applications

In-car communication, car sensors (temperature, pressure), automotive audio systems, GPS antenna systems, RACS antenna audio/video antenna systems, CRT displays, medical and measuring instrumentation, variety of communication equipment, office automation equipment, LAN systems.

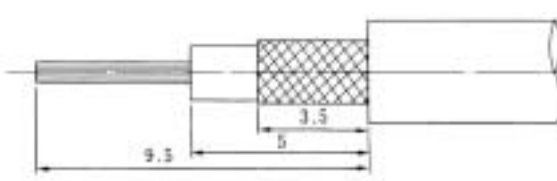
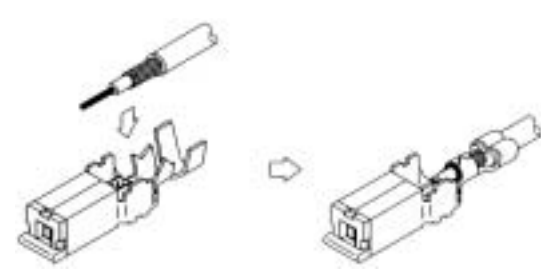
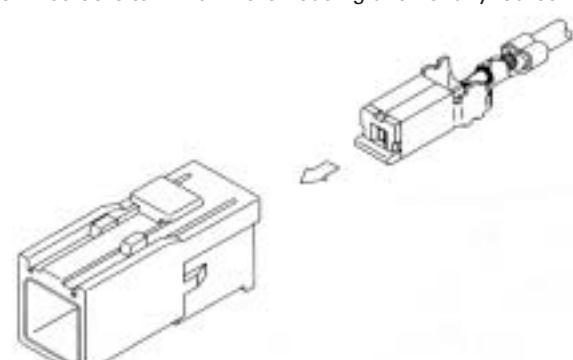
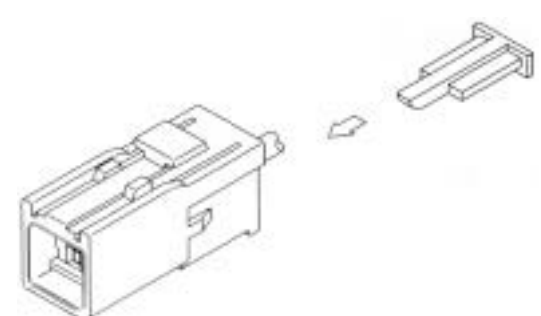
*"Twin Crimp" is a registered trade mark of Hirose Electric.

◆ Test Data (Using 1.5D-2V Type cable)



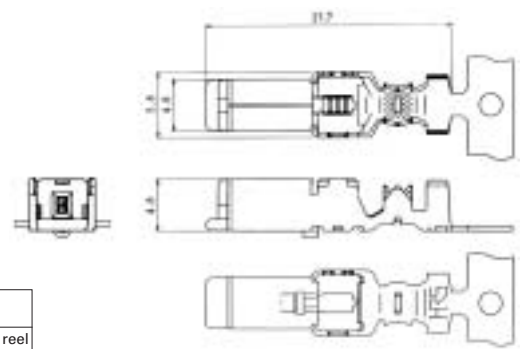
Note: Typical data using fully assembled and connected GT5-1S-HU and the GT5-1PP-HU.

◆ Termination sequence

<p>1. Strip the cable.</p> 	<p>2. Crimp the cable to the terminal.</p> 
<p>3. Insert the terminal in the housing until is fully locked.</p> 	<p>4. Fully insert the retainer.</p> 

Terminals for coaxial shielded cable

F Connector Terminals

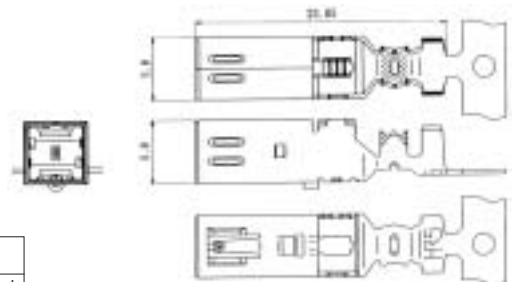


Part Number	CL No.	Conductor Size (AWG)	Inner Insulation Diameter	Outer Diameter	Packaging
GT5-30/0.7-1.5SCF	755-0065-1	#30 or equivalent	0.6 to 0.9mm	1.4 to 1.8mm	1,300 pcs. per reel
GT5-2428/1.6-2.5SCF	755-0078-3	#30 or equivalent	1.5 to 2.0mm	2.3 to 2.7mm	1,300 pcs. per reel
GT5-30/1.6-2.9SCF	755-0022-9	#24 to 28 or equivalent	1.5 to 2.0mm	2.6 to 3.4mm	1,300 pcs. per reel
GT5-2428/1.6-2.9SCF	755-0002-1	#24 to 28 or equivalent			
GT5-2022/1.6-2.9SCF	755-0071-4	#20 to 22 or equivalent	2.4 to 2.9mm	3.3 to 3.7mm	1,100 pcs. per reel
GT5-2022/F2.7-3.5SCF	755-0077-0	#20 to 22 or equivalent			
* GT5-2022/F3.3-3.8SCF	755-0054-5	#20 to 22 or equivalent	2.5 to 2.9mm	3.6 to 4.0mm	1,100 pcs. per reel
* GT5-30/3.3-5SCF	755-0016-6	#30 or equivalent			
* GT5-2428/F3.3-5SCF	755-0012-5	#24 to 28 or equivalent	2.5 to 2.9mm	4.6 to 5.0mm	1,100 pcs. per reel
* GT5-2022/F3.3-5SCF	755-0034-8	#20 to 22 or equivalent			
* GT5-30/F4-5SCF	755-0020-3	#30 or equivalent	3.0 to 3.6mm	4.6 to 5.0mm	1,100 pcs. per reel
* GT5-2428/F4-5SCF	755-0024-4	#24 to 28 or equivalent			
* GT5-2022/F4-5SCF	755-0036-3	#20 to 22 or equivalent			

Part	Material	Finish
Insulator	PBT	Color: Dark gray
Crimp terminals	Phosphor bronze	Tin plating
Outer terminals	Brass	Tin plating

Note: Products marked with an asterisk (*) indicate polyethylene foam insulation.

M Connector Terminals

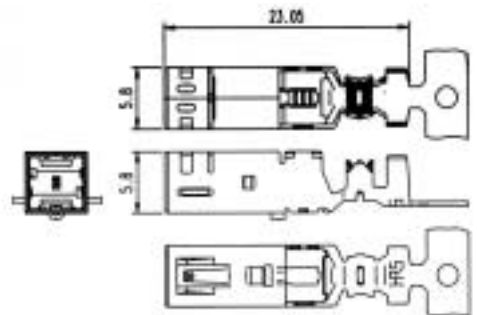


Part Number	CL No.	Conductor Size (AWG)	Inner Insulation Diameter	Outer Diameter	Packaging
GT5-30/0.7-1.5PCF	755-0017-9	#30 or equivalent	0.6 to 0.9mm	1.4 to 1.8mm	900 pcs. per reel
GT5-30/1.6-2.9PCF	755-0021-6	#30 or equivalent	1.5 to 2.0mm	2.6 to 3.4mm	900 pcs. per reel
GT5-2428/1.6-2.9PCF	755-0001-9	#24 to 28 or equivalent			
GT5-2022/1.6-2.9PCF	755-0094-0	#20 to 22 or equivalent	2.4 to 2.9mm	3.3 to 3.7mm	900 pcs. per reel
GT5-2022/F2.7-3.5PCF	755-0076-8	#20 to 22 or equivalent			
* GT5-2022/F3.3-3.8PCF	755-0053-2	#20 to 22 or equivalent	2.5 to 2.9mm	3.6 to 4.0mm	900 pcs. per reel
* GT5-30/F3.3-5PCF	755-0015-3	#30 or equivalent			
* GT5-2428/F3.3-5PCF	755-0011-2	#24 to 28 or equivalent	2.5 to 2.9mm	4.6 to 5.0mm	900 pcs. per reel
* GT5-2022/F3.3-5PCF	755-0033-5	#20 to 22 or equivalent			
* GT5-30/F4-5PCF	755-0019-4	#30 or equivalent	3.0 to 3.6mm	4.6 to 5.0mm	900 pcs. per reel
* GT5-2428/F4-5PCF	755-0023-1	#24 to 28 or equivalent			
* GT5-2022/F4-5PCF	755-0035-0	#20 to 22 or equivalent			

Part	Material	Finish
Insulator	PBT	Color: Dark gray
Crimp terminals	Brass	Tin plating
Outer terminals	Brass	Tin plating

Note: Products marked with an asterisk (*) indicate polyethylene foam insulation.

Low-insertion M Connector Terminals



Part Number	HRS No.	Conductor Size (AWG)	Inner Insulation Diameter	Outer Diameter	Packaging
GT5L-30/0.7-1.5PCF	755-0068-0	#30 or equivalent	0.6 to 0.9mm	1.4 to 1.8mm	900 pcs. per reel
GT5L-30/1.6-2.9PCF	755-0067-7	#30 or equivalent	1.5 to 2.0mm	2.6 to 3.4mm	900 pcs. per reel
GT5L-2428/1.6-2.9PCF	755-0066-4	#24 to 28 or equivalent			
GT5L-2428/1.6-2.5PCF	755-0079-6	#24 to 28 or equivalent			

Part	Material	Finish
Insulator	PBT	Color: Dark gray
Crimp terminals	Brass	Tin plating
Outer terminals	Brass	Tin plating

For Single-Conductor coaxial shielded cable

F Connectors

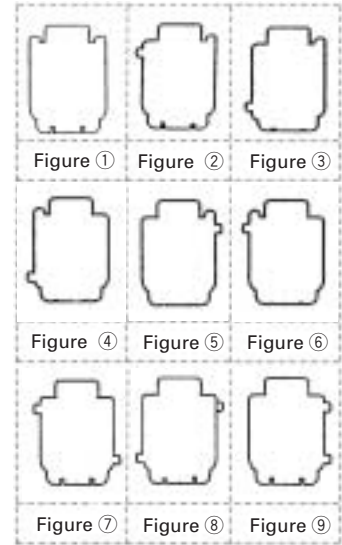
● Housing



GT5-1S-HU

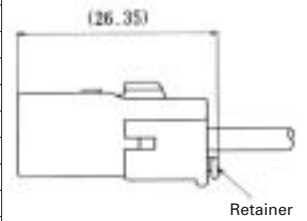


◆ Keying Configurations



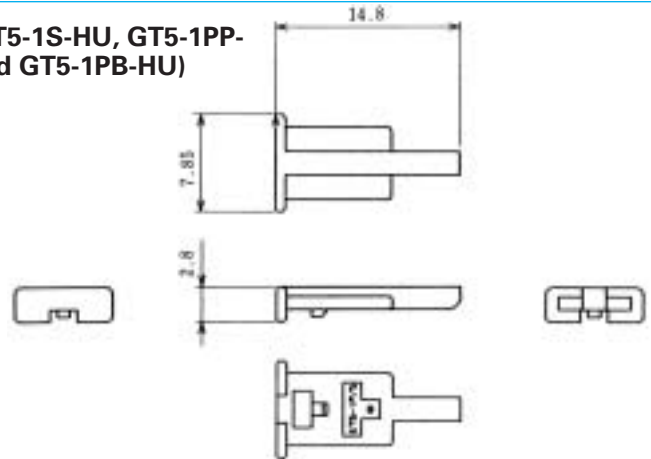
Part Number	CL No.	Material	Color	Key polarizing code	Corresponding M Connector Housing- In-line	Corresponding M Connector Assembly- Board Mounting	USCAR-19 Coding
GT5-1S-HU	755-0004-7	PBT	Light gray	Figure ①	GT5-1PP-HU	GT5-1P-DS	—
GT5-1S-HU(A)	755-0037-6		Brown	Figure ②	GT5-1PP-HU(A)	GT5-1P-DS(A)	A
GT5-1S-HU(B)	755-0038-9		Green	Figure ③	GT5-1PP-HU(B)	GT5-1P-DS(B)	B
GT5-1S-HU(C)	755-0080-5		Blue	Figure ④	GT5-1PP-HU(C)	GT5-1P-DS(C)	C
GT5-1S-HU(D)	755-0081-8		Purple	Figure ⑤	GT5-1PP-HU(D)	GT5-1P-DS(D)	D
GT5-1S-HU(E)	755-0082-0		Pink	Figure ⑥	GT5-1PP-HU(E)	GT5-1P-DS(E)	E
GT5-1S-HU(I)	Note 1		Black	Figure ⑦	GT5-1PP-HU(I)	GT5-1P-DS(I)	I
GT5-1S-HU(J)	Note 1		Cream white	Figure ⑧	GT5-1PP-HU(J)	GT5-1P-DS(J)	J
GT5-1S-HU(K)	Note 1		Pastel orange	Figure ⑨	GT5-1PP-HU(K)	GT5-1P-DS(K)	K

◆ Shown with inserted retainer.



Terminal extraction tool: GT-PO(A), Note 1: concept only

● Retainer (-Optional-Used with the housings: GT5-1S-HU, GT5-1PP-HU, GT5N-1PP-HU, GT5H-1PP-HU, and GT5-1PB-HU)

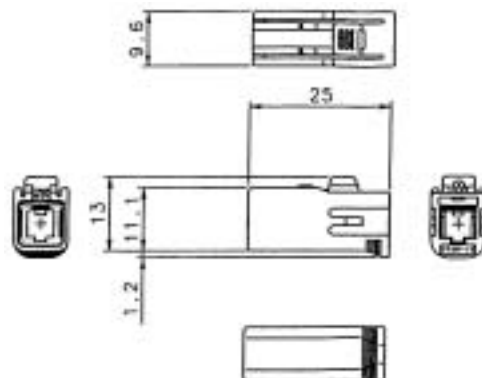


Part Number	CL No.	Material	Color
GT5-1P/S-R	755-0006-2	PBT	Dark gray

● Housing (Not requiring use of the retainer)



GT5R-1S/HU

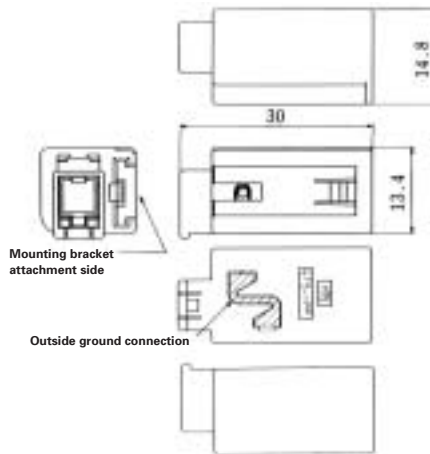


Part Number	CL No.	Material	Color
GT5R-1S-HU	755-0047-0	PBT	Light gray

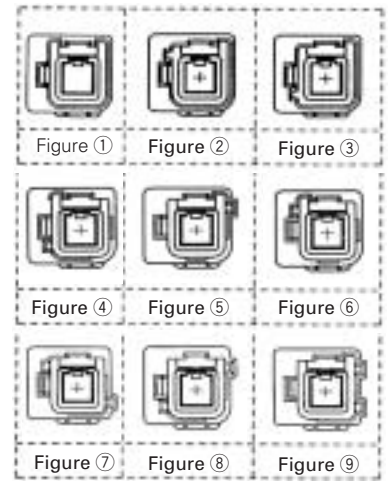
Terminal extraction tool: GT-PO(A)

M Connectors

● Housing



◆ Keying Configurations



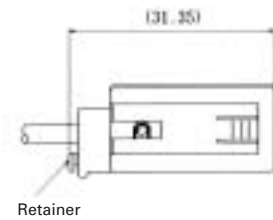
Part Number	CL No.	Corresponding F Connector Housing	Color	Key polarizing code	USCAR-19 Coding
GT5-1PP-HU	755-0005-0	GT5-1S-HU	Light Gray	Figure ①	—
GT5-1PP-HU(A)	755-0039-1	GT5-1S-HU(A)	Brown	Figure ②	A
GT5-1PP-HU(B)	755-0040-0	GT5-1S-HU(B)	Green	Figure ③	B
GT5-1PP-HU(C)	755-0103-9	GT5-1S-HU(C)	Blue	Figure ④	C
GT5-1PP-HU(D)	755-0104-1	GT5-1S-HU(D)	Purple	Figure ⑤	D
GT5-1PP-HU(E)	755-0105-4	GT5-1S-HU(E)	Pink	Figure ⑥	E
GT5-1PP-HU(I)	Note 1	GT5-1S-HU(I)	Black	Figure ⑦	I
GT5-1PP-HU(J)	Note 1	GT5-1S-HU(J)	Cream white	Figure ⑧	J
GT5-1PP-HU(K)	Note 1	GT5-1S-HU(K)	Pastel orange	Figure ⑨	K

* Refer to pages 32 and 34 for panel brackets used with in-line connectors.

* Terminal extraction tool: GT-PO(A)

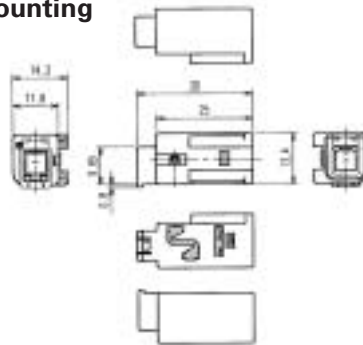
Note 1: concept only

◆ Shown with inserted retainer.

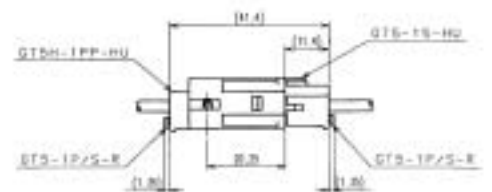


Part	Material	Finish
Housing	PBT	Color: Dark gray
Ground terminal	Phosphor bronze	Tin plating

● Housing (For use with H type mounting bracket)

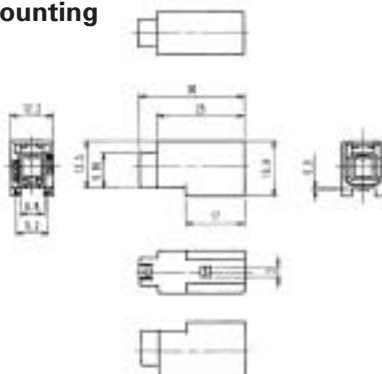


◆ Fully mated connector assemblies.

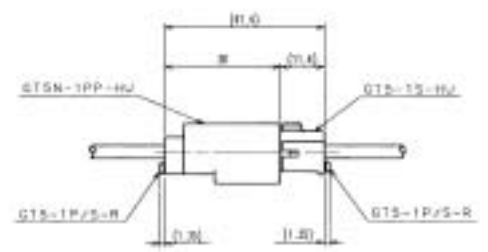


Part Number	CL No.	Color	Corresponding F Connector Housing
GT5H-1PP-HU (10)	755-0093-7 10	Light Gray	GT5-1S-HU
GT5H-1PP-HU (41)	755-0093-7 41	Blue	GT5R-1S-HU

● Housing (For use with N type mounting bracket)



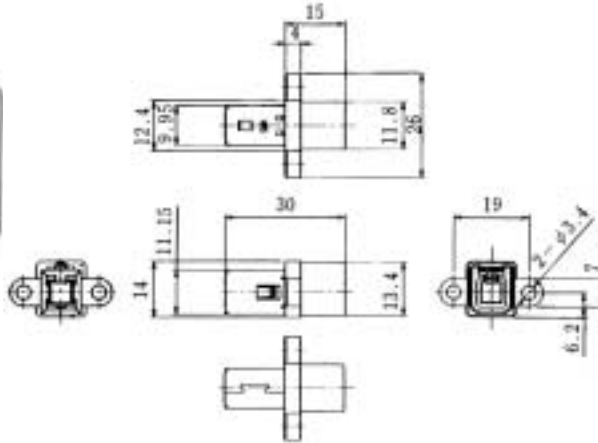
◆ Fully mated connector assemblies.



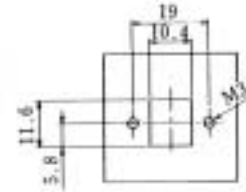
Part Number	CL No.	Color	Corresponding F Connector Housing
GT5N-1PP-HU	755-0090-9	Light Gray	GT5-1S-HU GT5R-1S-HU

● Housings

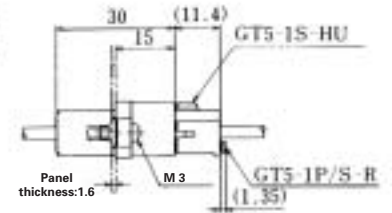
[Panel mounting, enhanced shielding configuration]



◆ Recommended Panel Cut-out



◆ Mounted and fully mated connector assemblies

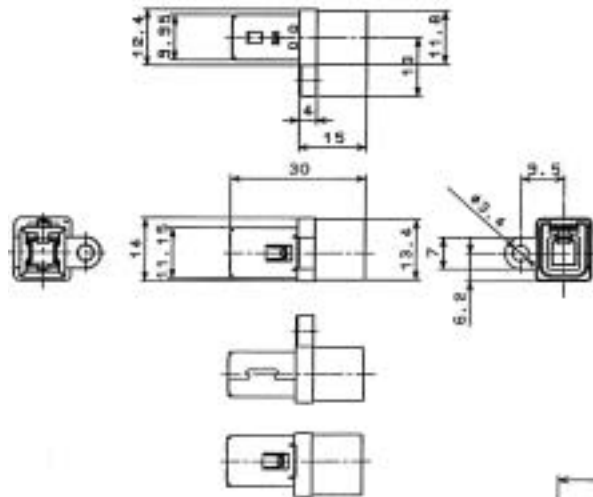


Part Number	CL No.	Part	Material	Finish
GT5A-1PP-HU	755-0025-7	Housing	PBT	Color: Light gray
		Ground terminal	Brass	Tin plating

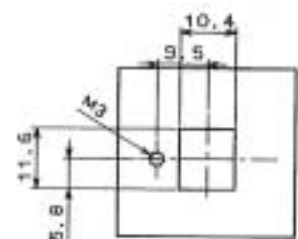
Note 1: Terminal extraction tool: GT-PO(A)

Note 2: Retainer is optional.

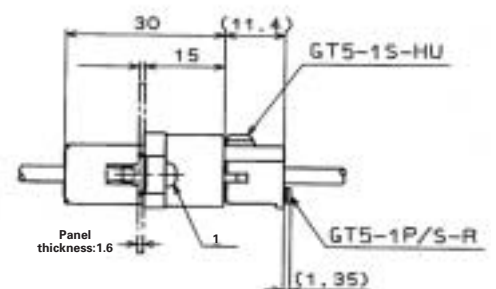
Note 3: Use mounting screws of M3 with nominal diameter 3L-6 (for a panel thickness of 1.6 mm).



◆ Recommended Panel Cut-out



◆ Mounted and fully mated connector assemblies

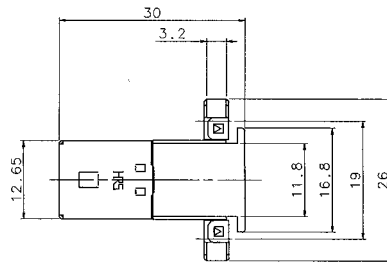


Part Number	CL No.	Part	Material	Finish
GT5P-1PP-HU	755-0030-7	Housing	PBT	Color: Light gray
		Ground terminal	Brass	Tin plating

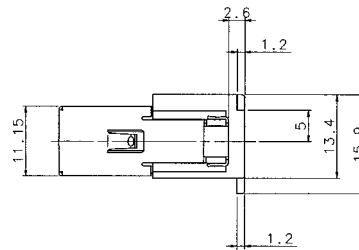
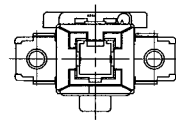
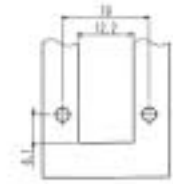
Note 1: Terminal extraction tool: GT-PO(A)

Note 2: Retainer is optional.

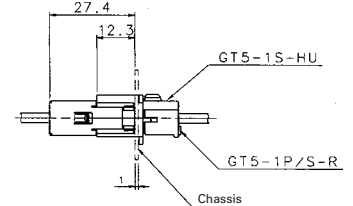
Note 3: Use mounting screws of M3 with nominal diameter 3L-6 (for a panel thickness of 1.6 mm).



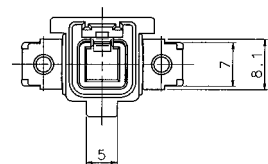
◆ Recommended Panel Cut-out



◆ Mounted and fully mated connector assemblies



Assembly Diagram (1:1)

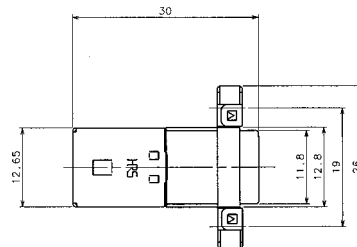


Part Number	CL No.	Part	Material	Finish
GT5B-1PP-HU	755-0051-7	Housing	PBT	Color: Light gray
		Ground terminal	Copper alloy	Tin plating

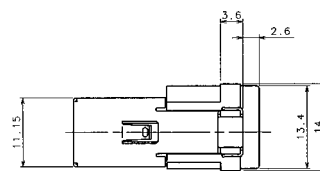
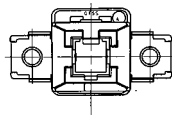
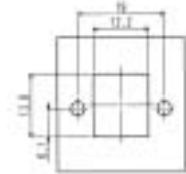
Note 1: Terminal extraction tool: GT-PO(A) with nominal diameter 3L-6 (for a board thickness of 1.6 mm).

Note 2: Retainer is optional.

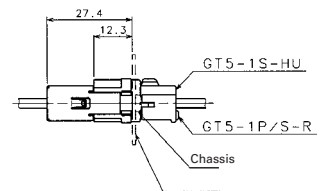
Note 3: Use mounting screws of M3 with nominal diameter 3L-6 (for a panel thickness of 1.6 mm).



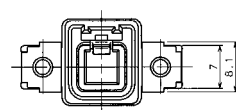
◆ Recommended Panel Cut-out



◆ Mounted and fully mated connector assemblies



Assembly Diagram (1:1)



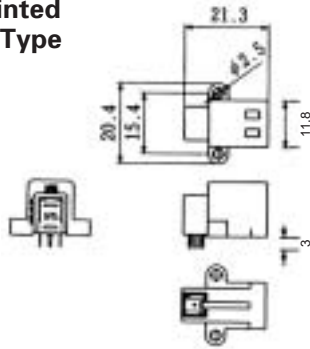
Part Number	CL No.	Part	Material	Finish
GT5S-1PP-HU	755-0050-4	Housing	PBT	Color: Light gray
		Ground terminal	Copper alloy	Tin plating

Note 1: Terminal extraction tool: GT-PO(A) with nominal diameter 3L-6 (for a board thickness of 1.6 mm).

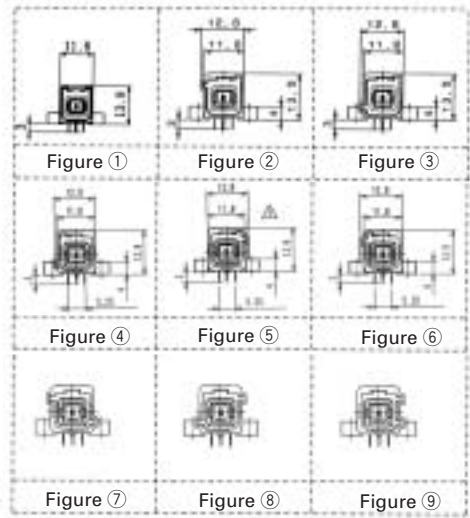
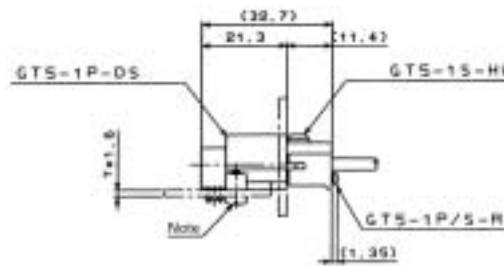
Note 2: Retainer is optional.

Note 3: Use mounting screws of M3 with nominal diameter 3L-6 (for a panel thickness of 1.6 mm).

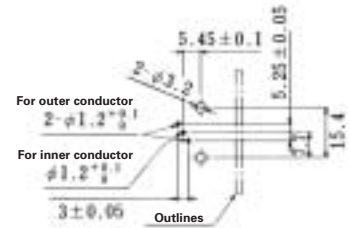
● Connector assembly, Printed Circuit Board Mounting Type



◆ Diagram of Mated Connector in Use



◆ Recommended PCB Mounting Pattern



Part Number	CL No.	Color	Key polarizing code	M Connector-Board Type	Corresponding F Connector Housing
GT5-1P-DS	755-0007-5	Light Gray	Figure ①	GT5-1P-DS	GT5-1S-HU
GT5-1P-DS(A)	755-0041-3	Brown	Figure ②	GT5-1P-DS(A)	GT5-1S-HU(A)
GT5-1P-DS(B)	755-0042-6	Green	Figure ③	GT5-1P-DS(B)	GT5-1S-HU(B)
GT5-1P-DS(C)	755-0083-3	Blue	Figure ④	GT5-1P-DS(C)	GT5-1S-HU(C)
GT5-1P-DS(D)	755-0084-6	Purple	Figure ⑤	GT5-1P-DS(D)	GT5-1S-HU(D)
GT5-1P-DS(E)	755-0085-9	Pink	Figure ⑥	GT5-1P-DS(E)	GT5-1S-HU(E)
GT5-1P-DS(I)	Note 2	Black	Figure ⑦	GT5-1P-DS(I)	GT5-1S-HU(I)
GT5-1P-DS(J)	Note 2	Cream white	Figure ⑧	GT5-1P-DS(J)	GT5-1S-HU(J)
GT5-1P-DS(K)	Note 2	Pastel orange	Figure ⑨	GT5-1P-DS(K)	GT5-1S-HU(K)

Part	Material	Finish
Housing	PBT	-
0.65 x 1.1 Terminals	Brass	Tin plating
Insulator	PBT	Dark gray
Outer terminals	Phosphor bronze	Tin plating

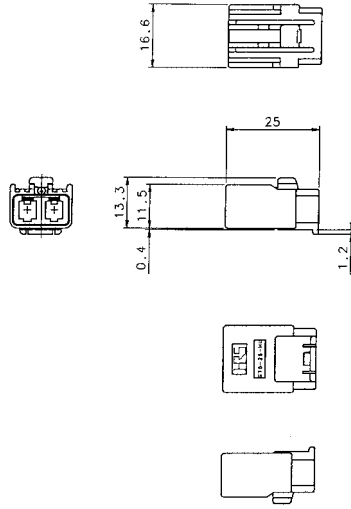
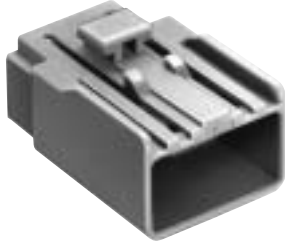
Note1: Use mounting screws of M3 with nominal diameter 3L-6 (for a board thickness of 1.6 mm).

Note2: concept only

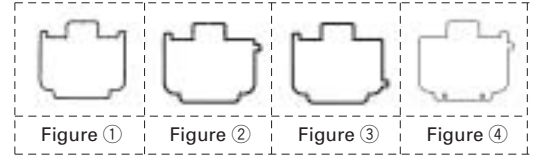
Two-position type-Each Single-Conductor coaxial cable

F Connectors

● Housing



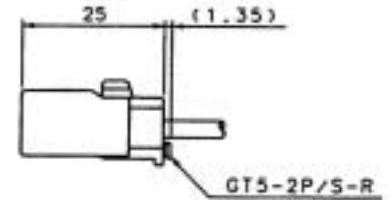
◆Keying Configurations



Part Number	CL No.	Material	Color	Key polarizing code	USCAR-19 Coding
GT5-2S-HU	755-0044-1	PBT	Light Gray	Figure ①	D2
GT5-2S-HU(A)	755-0059-9		Brown	Figure ②	A2
GT5-2S-HU(B)	755-0060-8		Green	Figure ③	B2
GT5-2S-HU(C)	755-0097-8		Blue	Figure ④	C2

Note 1: Terminal extraction tool: GT-PO(A)

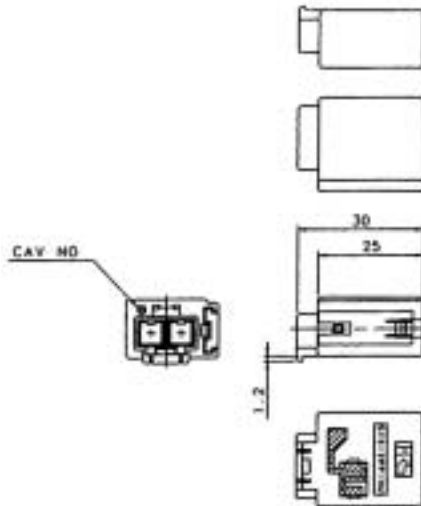
Note 2: Used with separate retainer (GT-5-2P/S-R).



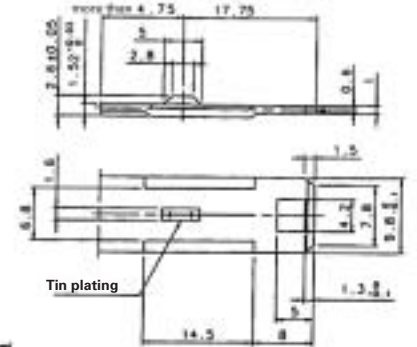
Shown with inserted retainer.

M Connectors

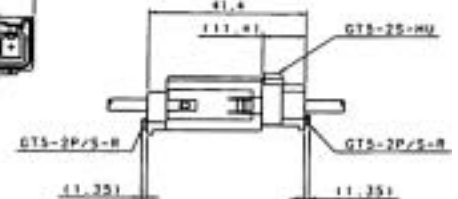
● Housing[Panel Mounted Housing]



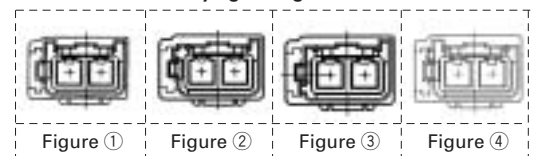
◆Recommended Mounting Bracket dimensions.



◆Fully mated connector assemblies



◆Keying Configurations



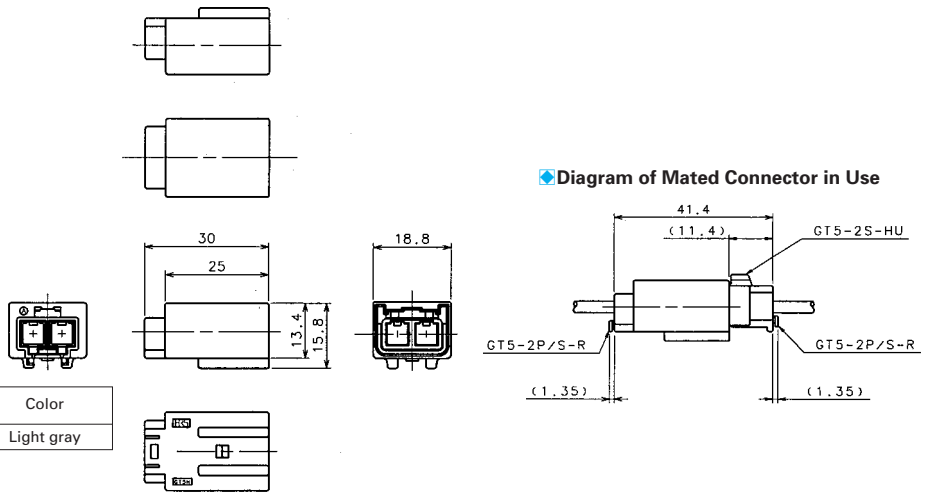
Part Number	CL No.	Color	Key polarizing code
GT5-2PP-HU	755-0045-4	Light Gray	Figure ①
GT5-2PP-HU(A)	755-0063-6	Brown	Figure ②
GT5-2PP-HU(B)	755-0064-9	Green	Figure ③
GT5-2PP-HU(C)	—	Blue	Figure ④

Part	Material	Finish
Housing	PBT	-
Ground terminal	Phosphor bronze	Tin plating

Note: Used with separate retainer (GT-5-2P/S-R).

Coding D2 at USCAR-19 is GT5-2PP-HU.

● Housing

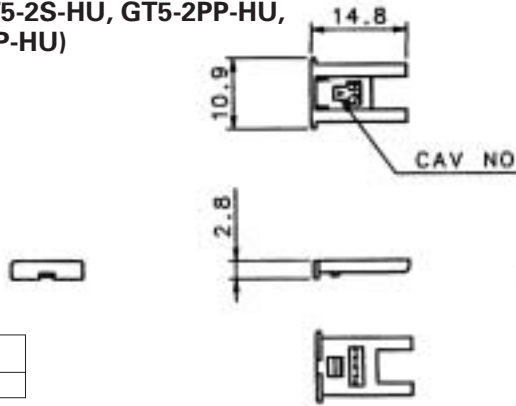


Part Number	CL No.	Material	Color
GT5N-2PP-HU	755-0055-8	PBT	Light gray

Note 1: Terminal extraction tool: GT-PO(A)

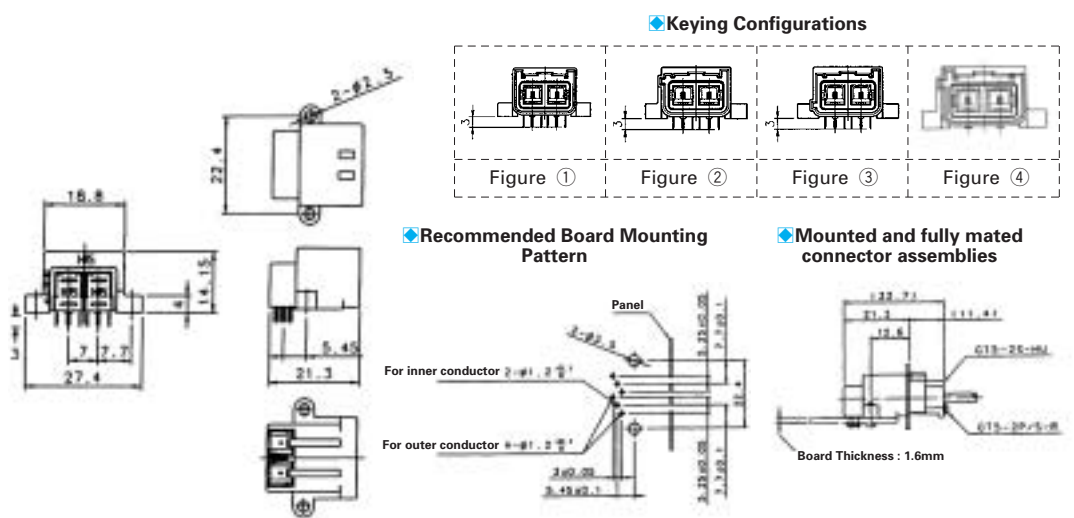
Note 2: Used with separate retainer (GT-5-2P/S-R).

● Retainer – 2 position (Used with GT5-2S-HU, GT5-2PP-HU, and GT5N-2PP-HU)



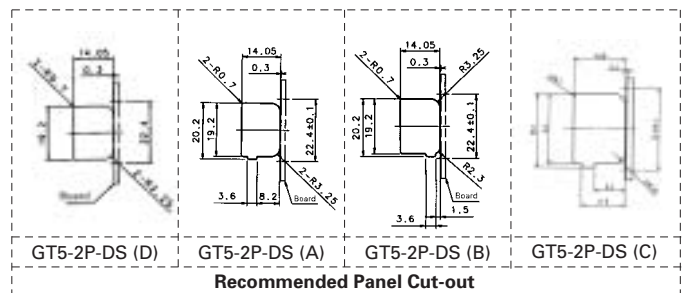
Part Number	CL No.	Material	Color
GT5-2P/S-R	755-0046-7	PBT	Dark gray

● Housing



Part Number	CL No.	Material	Color	Key polarizing code	USCAR-19 Coding
GT5-2P-DS	755-0043-9	PBT	Light Gray	Figure ①	D2
GT5-2P-DS(A)	755-0061-0		Brown	Figure ②	A2
GT5-2P-DS(B)	755-0062-3		Green	Figure ③	B2
GT5-2P-DS(C)	—		Blue	Figure ④	C2

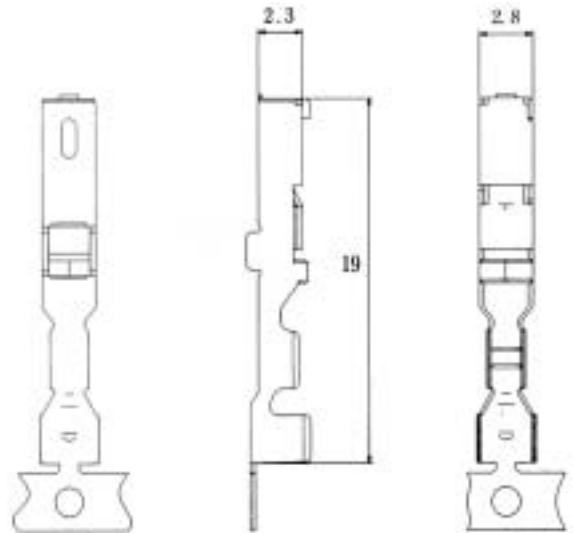
Note: Use mounting screws of M3 with nominal diameter 3L-6 (for a board thickness of 1.6 mm).
Coding D2 at USCAR-19 is GT5-2P-DS.



Power Supply Terminals

(For use with combination type assemblies:
GT5-2/1S-HU, GT5-2/1P-DS, GT5-2/1PP-HU, GT5N-2/1PP-HU)

F Connector Terminals

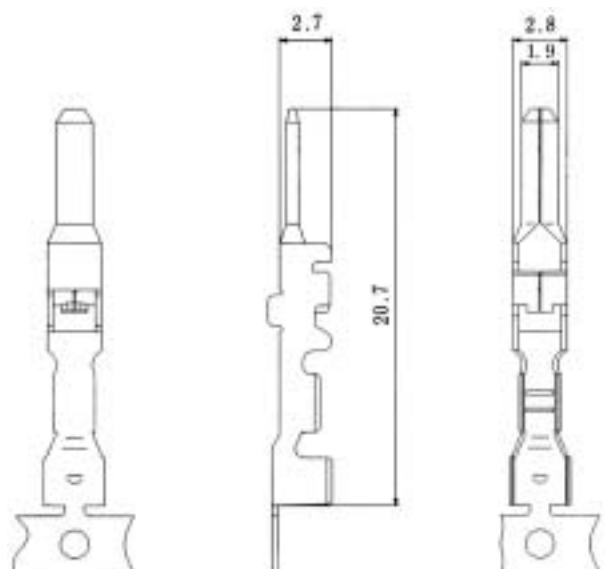


Part Number	CL No.	Material	Finish	Conductor Size (AWG)	Outer Diameter	Packaging
GT7-2022SCF	757-0001-1	Copper alloy	Tin plating	#20 to 22	1.4 to 2.4mm	5,000
GT7A-2022SCF	757-0003-7			#20 to 22	2.6 to 3.1mm	3,000

Note 1: Sold by the reel. (See above table for number of Packaging.)

Note 2: This component is used only with applicable HRS housings.

M Connector Terminals



Part Number	CL No.	Material	Finish	Outer Diameter	Packaging
GT7-2022PCF	757-0002-4	Brass	Tin plating	1.4 to 2.4mm	5,000
GT7A-2022PCF	757-0004-0			2.6 to 3.1mm	3,000

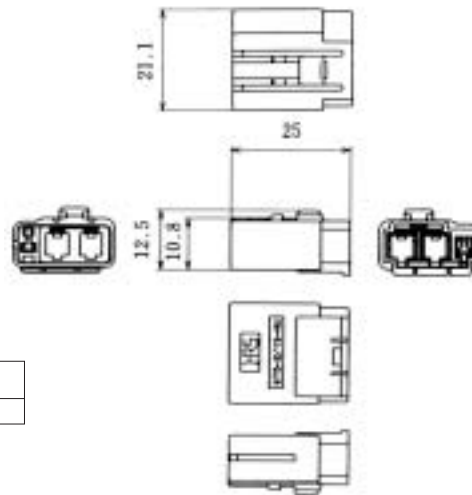
Note 1: Sold by the reel. (See above table for number of Packaging.)

Note 2: This component is used only with applicable HRS housings.

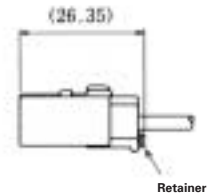
Combinaton Type (Two Single-Conductor Coaxial Cables + One Power contact)

F Connectors

● Housing



◆ Shown with inserted retainer.

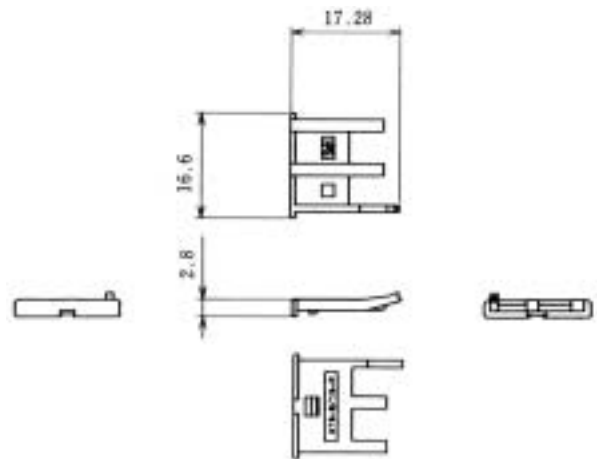


Part Number	CL No.	Material	Color
GT5-2/1S-HU	755-0009-0	PBT	Light gray

Note 1: Terminal extraction tool: GT-PO(A)

Note 2: Used with separate retainer (GT5-2/1S-R).

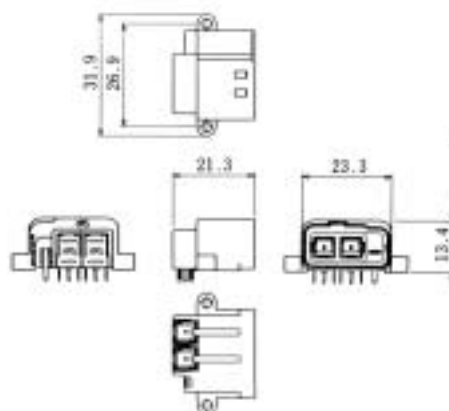
● Retainer (exclusively for GT5-2/1S-HU)



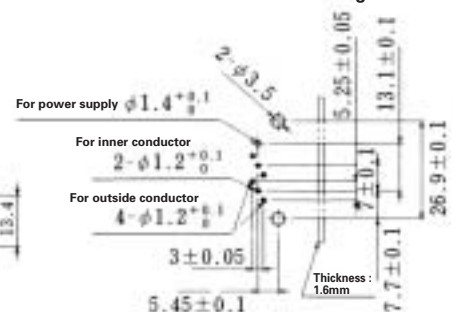
Part Number	CL No.	Material	Color
GT5-2/1S-R	755-0003-4	PBT	Dark gray

M Connectors

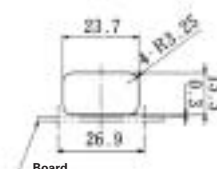
● Connector assembly, Printed Circuit Board mounting



◆ Recommended Board Mounting Pattern



◆ Recommended Panel Cut-out



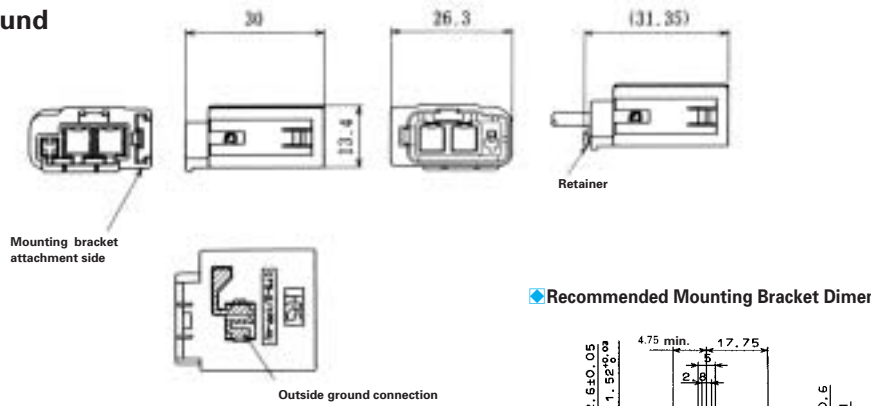
Part	Material	Finish
Housing	PBT	Color: Light gray
0.64x1.1 Terminal	Brass	Tin plating
Insulator	PBT	Dark gray
Outer terminal	Phosphor bronze	Tin plating
Tube terminal for DS 070	Brass	Tin plating

Part Number	CL No.
GT5-2/1P-DS	755-0014-0

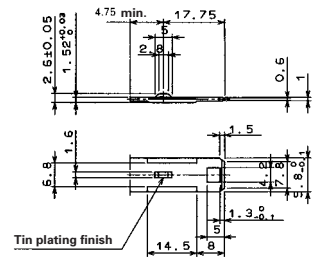
Note: Use mounting screws of M3 with nominal diameter 3L-6 (for a board thickness of 1.6 mm).

M Connectors

● Housing - with External Ground



◆ Recommended Mounting Bracket Dimensions

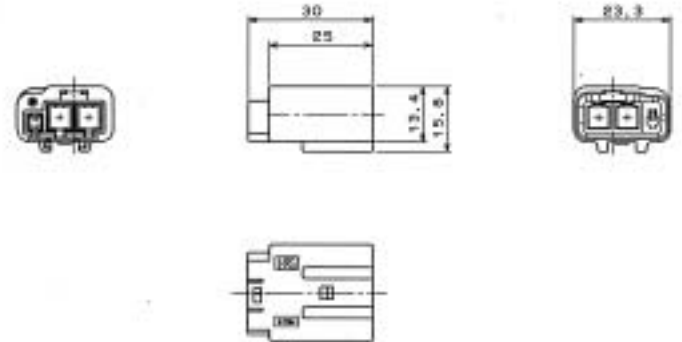


Part Number	CL No.	Part	Material	Finish
GT5-2/1PP-HU	755-0008-8	Housing	PBT	Color: Light gray
		Ground terminal	Phosphor bronze	Tin plating

Note 1: Terminal extraction tool: GT-PO(A)

Note 2: Used with separate retainer (GT5-2/1PP-R).

● Housing - without External Ground



Part Number	CL No.	Material	Color
GT5N-2/1PP-HU	755-0013-8	PBT	Light gray

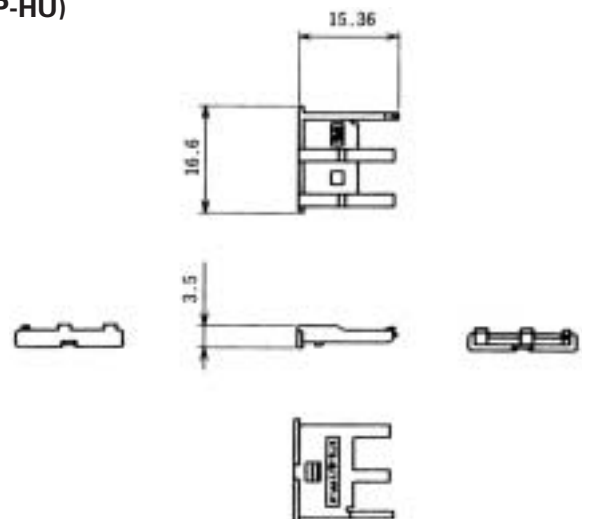
Note 1: Terminal extraction tool: GT-PO(A)

Note 2: Used with separate retainer GT5-2/1PP-R and mounting bracket GT-BK or GT-BK (01).

● Retainer (Used with GT5N-2/1PP-HU and GT5-2/1PP-HU)



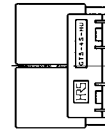
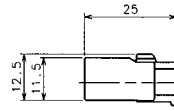
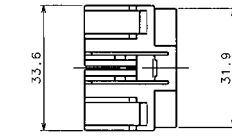
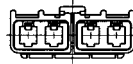
GT5-2/1PP-R



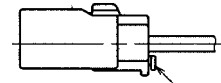
Part Number	CL No.	Material	Color
GT5-2/1PP-R	755-0010-0	PBT	Dark gray

4-Position – Single conductor Coaxial cable

F Connectors



◆ Shown with inserted retainer.

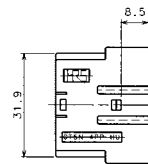
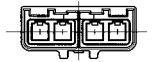
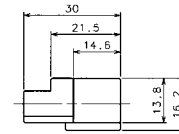
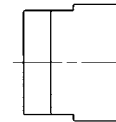
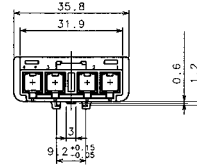


GT5-4P/S-R

Part Number	CL No.	Material	Color	USCAR-19 Coding
GT5-4S-HU	755-0056-0	PBT	Light gray	D4

Note: Used with separate retainer (GT-5-4P/S-R).

M Connectors

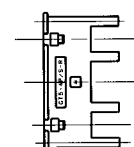
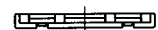
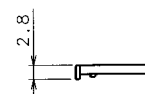
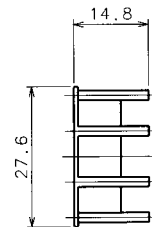
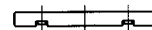


Part Number	CL No.	Material	Color	USCAR-19 Coding
GT5N-4PP-HU	755-0057-3	PBT	Light gray	D4

Note 1: The product should be used with a low-force insertion/withdrawal M connector terminal.

Note 2: Used with separate retainer GT-5-4P/S-R.

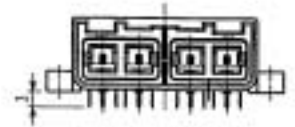
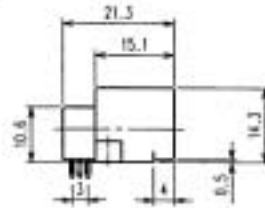
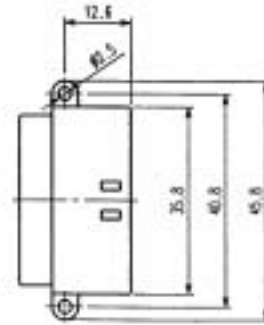
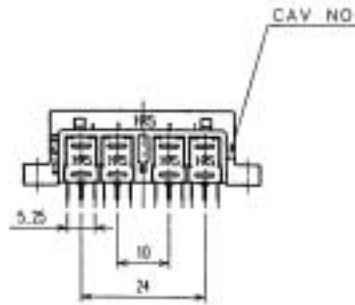
● Retainer (Used with GT5-4S-HU and GT5N-4PP-HU)



Part Number	CL No.	Material	Color
GT5-4P/S-R	755-0058-6	PBT	Dark gray

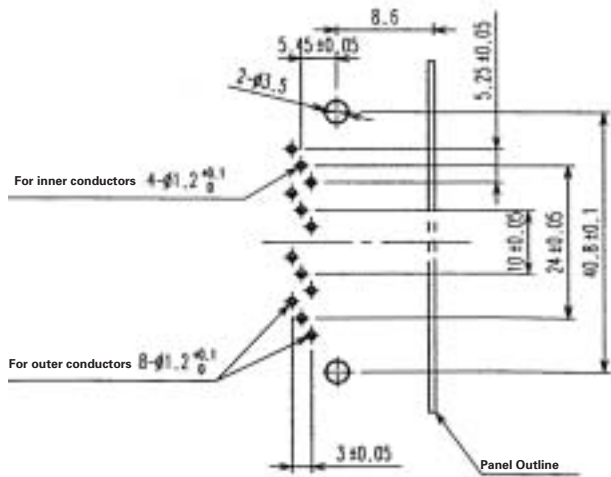
M Connectors

● Connector assembly, Printed Circuit Board Mounting

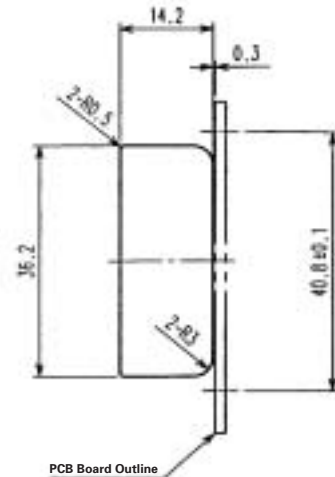


Part Number	CL No.	USCAR-19 Coding
GT5-4P-DS	755-0087-4	D4

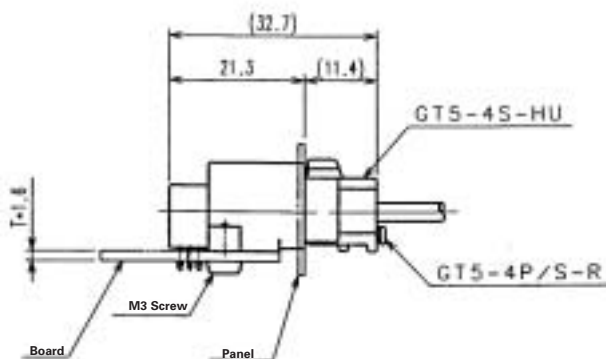
◆ Recommended Board Mounting Pattern



◆ Recommended Panel Cut-out



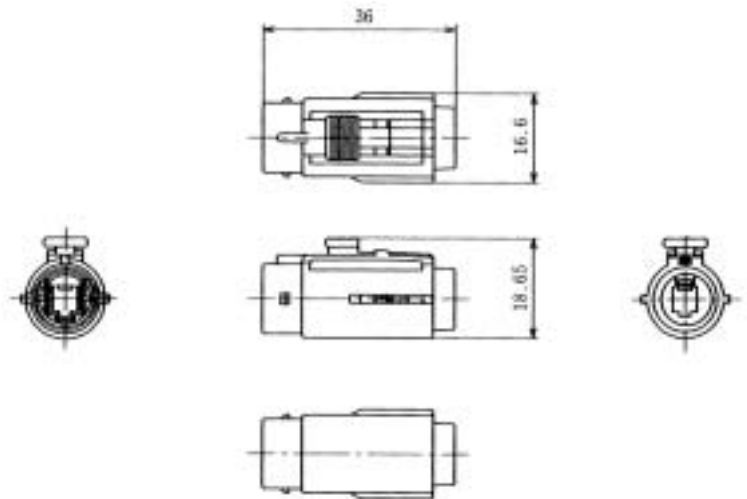
◆ Recommended Board and Panel Installation



Single Conductor Coaxial Cable - Waterproof Type

F Connectors

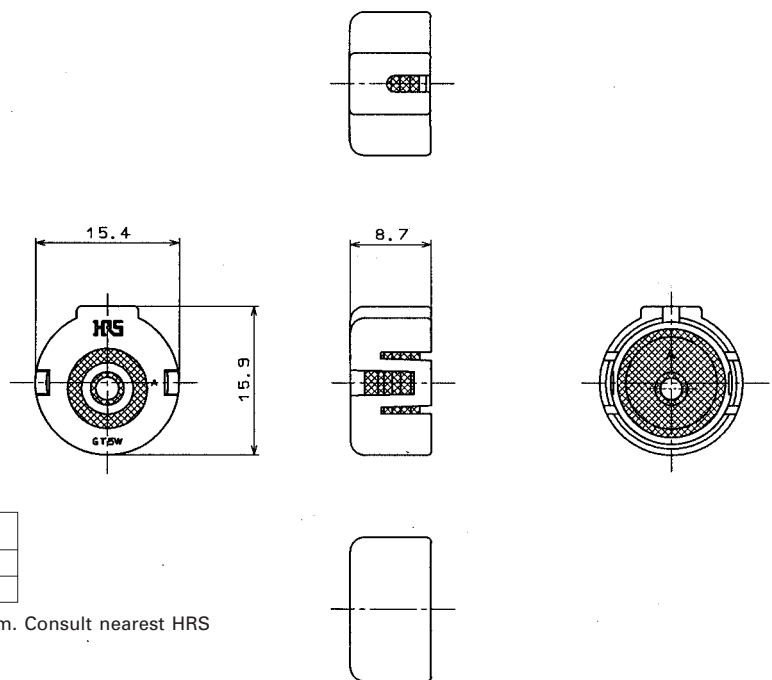
● Housing



Part Number	CL No.	Material	Color
GT5W-1S-HU	755-0027-2	PBT	Light gray

Note: Specific retainer is determined by the type of the cable used.

● Retainer (Used with GT5W-1P-HU, GT5JW-1PP-HU, GT5W-1S-HU and GT5W-1P-HU)

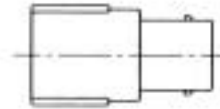
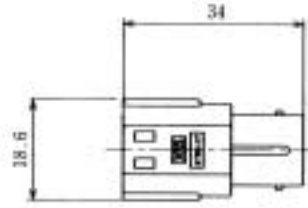


Part Number	CL No.	Material	Color
GT5W-1P/S-R	755-0028-5	PBT	Dark gray
		Silicon rubber Compound	Dark gray

Note: Outer diameter of the cable must be within 2.9 to 3.4 mm. Consult nearest HRS representative for other diameters.

M Connectors

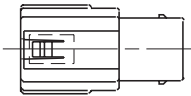
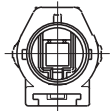
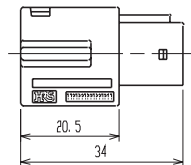
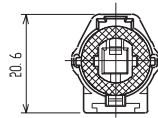
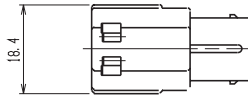
● Housing



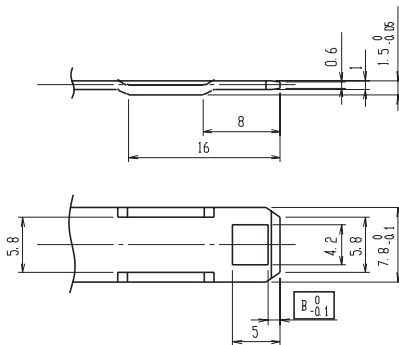
Part Number	CL No.	Part	Material	Color
GT5W-1P-HU	755-0026-0	Housing	PBT	Light gray
		Connector seal	Silicon rubber	White

Note: Use correct retainer.

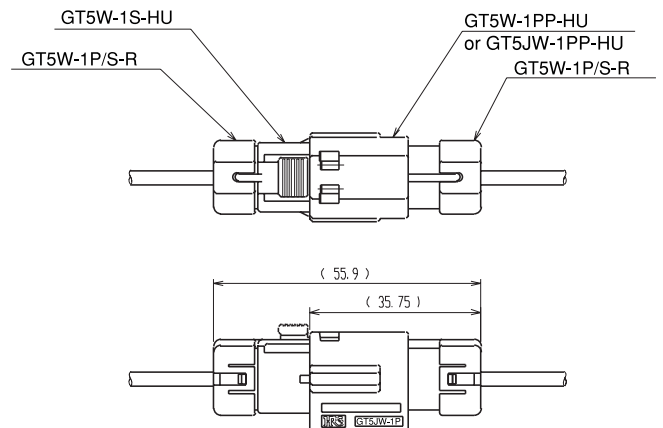
● Housing - Bracket Mounting



◆ Recommended Bracket Dimensions



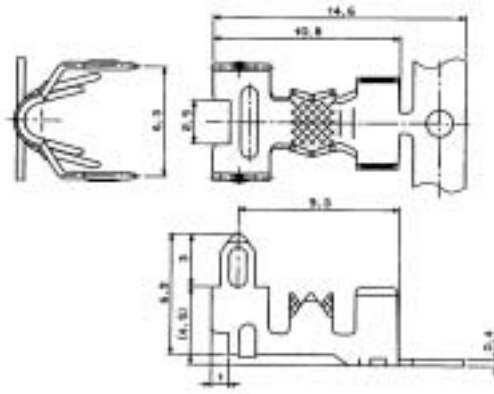
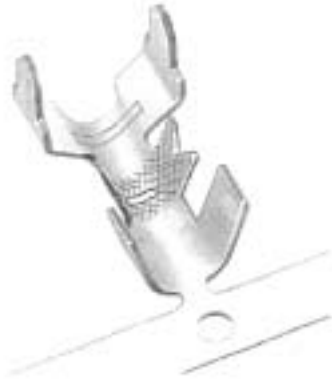
◆ Mounted and fully mated connector assemblies



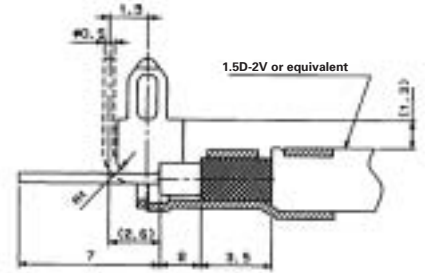
Part Number	CL No.	A	B	Part	Material	Color
GT5W-1PP-HU	755-0070-1	1.5	1.3	Housing	PBT	Light gray
GT5JW-1PP-HU	755-0069-2	3.2	3.0	Connector seal	Silicon rubber Compound	White

G Terminals

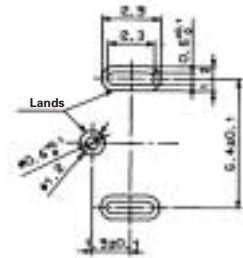
For Direct Coaxial Cable Termination



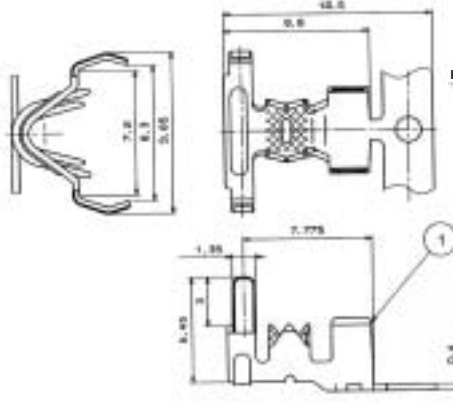
◆ Completed Termination cross section



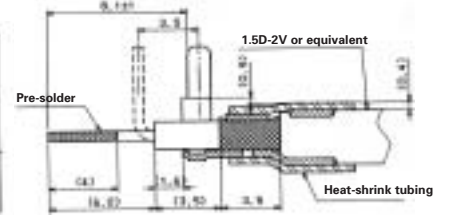
◆ Board Termination Pattern



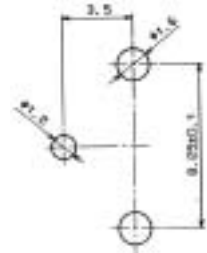
Part Number	CL No.	Material	Finish	Packaging
GTA-1.6CF	755-0032-2	Brass	Tin plating	1,500 pcs. Per reel



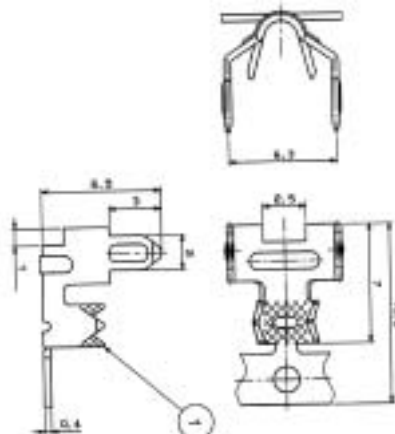
◆ Completed Termination cross section



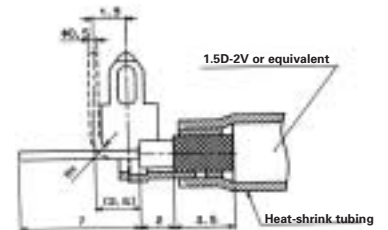
◆ Board Termination Pattern



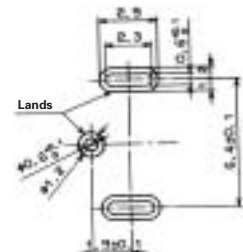
Part Number	CL No.	Material	Finish	Packaging
GTB-1.6CF	755-0049-5	Brass	Tin plating	1,500 pcs. Per reel



◆ Completed Termination cross section

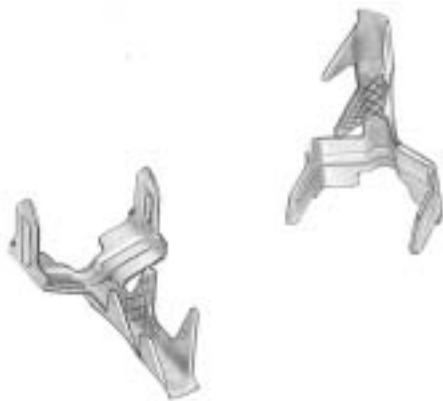


◆ Board Termination Pattern

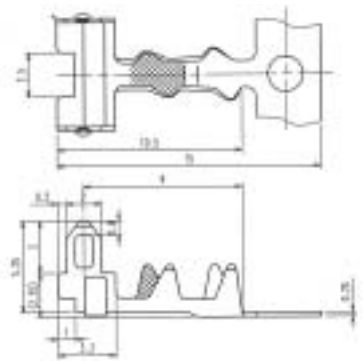
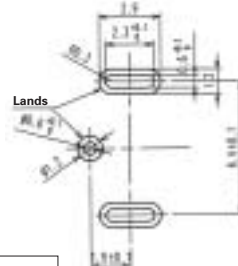


Part Number	CL No.	Material	Finish	Packaging
G-1.6PCF	755-0029-8	Brass	Tin plating	1,500 pcs. Per reel

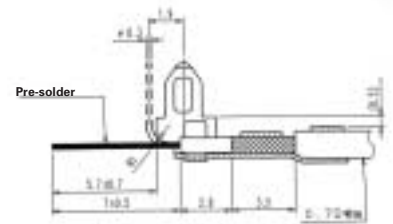
For Direct Coaxial Cable Termination



◆ Recommended Board Termination Pattern



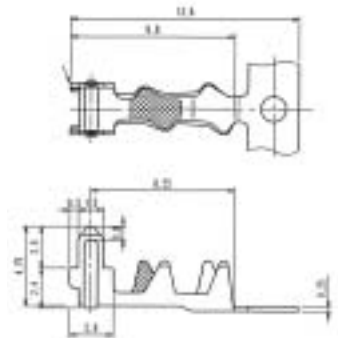
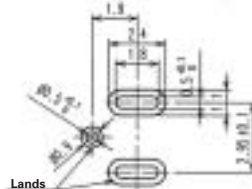
◆ Completed Termination Cross Section



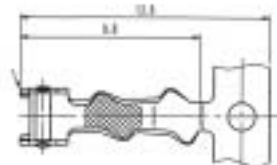
Part Number	CL No.	Material	Finish	Packaging
GTA-0.7CF	755-0074-2	Brass	Tin plating	1,500 pcs. Per reel



◆ Recommended Board Termination Pattern

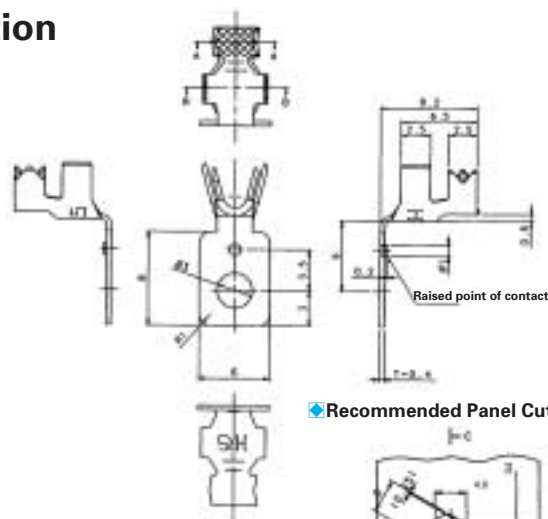


◆ Recommended Completed Termination cross section



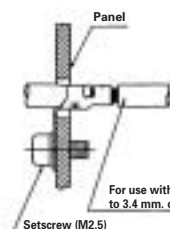
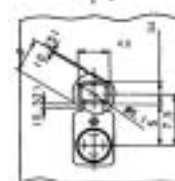
Part Number	CL No.	Material	Finish	Packaging
GTB-0.7CF	755-0075-5	Brass	Tin plating	1,500 pcs. Per reel

For Mid-Cable Termination



◆ Recommended Panel Cut-out

◆ Attachment Diagram

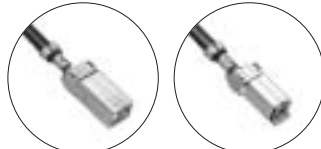


For use with coaxial cables 2.9 to 3.4 mm. outside diameter.

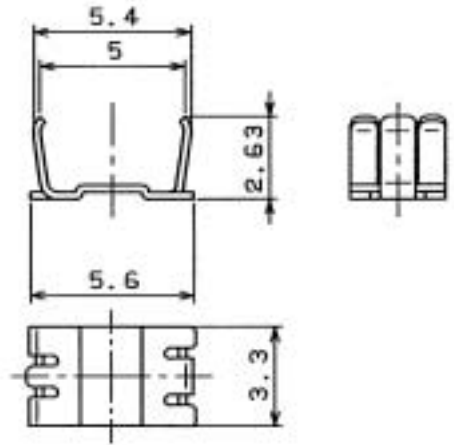
Part Number	CL No.	Material	Finish	Packaging
GT-1.6PG-C	755-0031-0	Brass	Tin plating	1

Bottom Shield cover

● For Improved Electronic Noise Compatibility

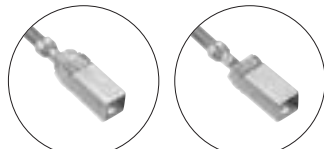
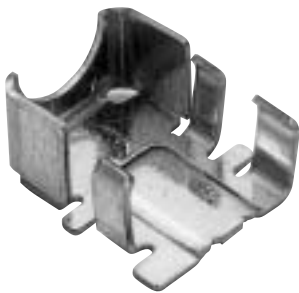


Mounted Condition Installed

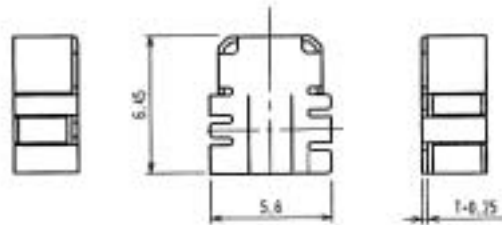


Part Number	CL No.	Material	Finish
GT5-1P/S-CSB	755-0048-2	Brass	Tin plating

Top Shield covers

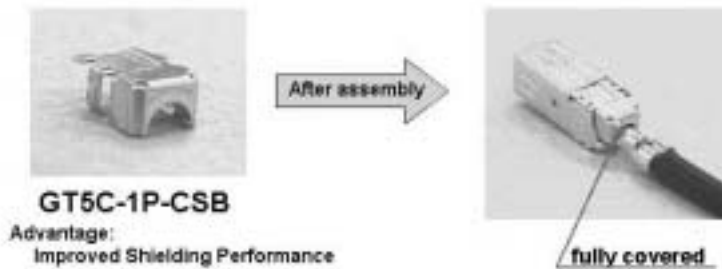


Mounted Condition Installed



Part Number	CL No.
GT5C-1P-CSB	755-0088-7

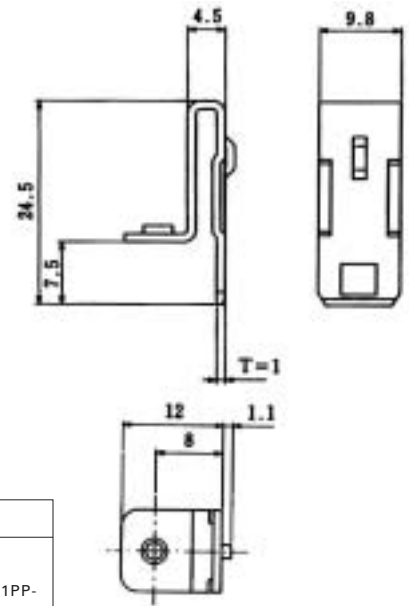
GT5 with New Shielding Cover



■ Panel Mounting In-line Bracket



GT-BK
GT-BK (01)



Part Number	CL No.	Material	Finish	Used with connectors
GT-BK	751-0039-6	SPCC	Tin plating	GT5-1PP-HU(A),GT5-1PP-HU(B),GT5-1PP-HU(C),GT5-1PP-HU(D),GT5-1PP-HU(E),GT5-1PP-HU(F),GT5-1PP-HU(G),GT5-1PP-HU(H),GT5-2/1PP-HU,GT5-2/1PP-HU(A),GT5-2/1PP-HU(A)
GT-BK(01)	751-0039-6-01		Zinc plating	

◆ Termination Tools

User's manuals are available. Please ask your Hirose Electric account representative.

Automatic crimping machine



Part Number CM-105

Specifications

Item	Specification	Remarks
Specification	1.5tons	
Stroke length	30mm	
Number of strokes	200spm(50Hz)	200spm(60Hz)
Weight	75kg	
Motor	0.2kW	AC100V
Crimping speed	2000 to 4000pcs. Per day	

* Crimp height setting tables are available for each cable type. Please contact your nearest Hirose Electric account representative.
Different cables will require different crimp height settings.